

R-Series



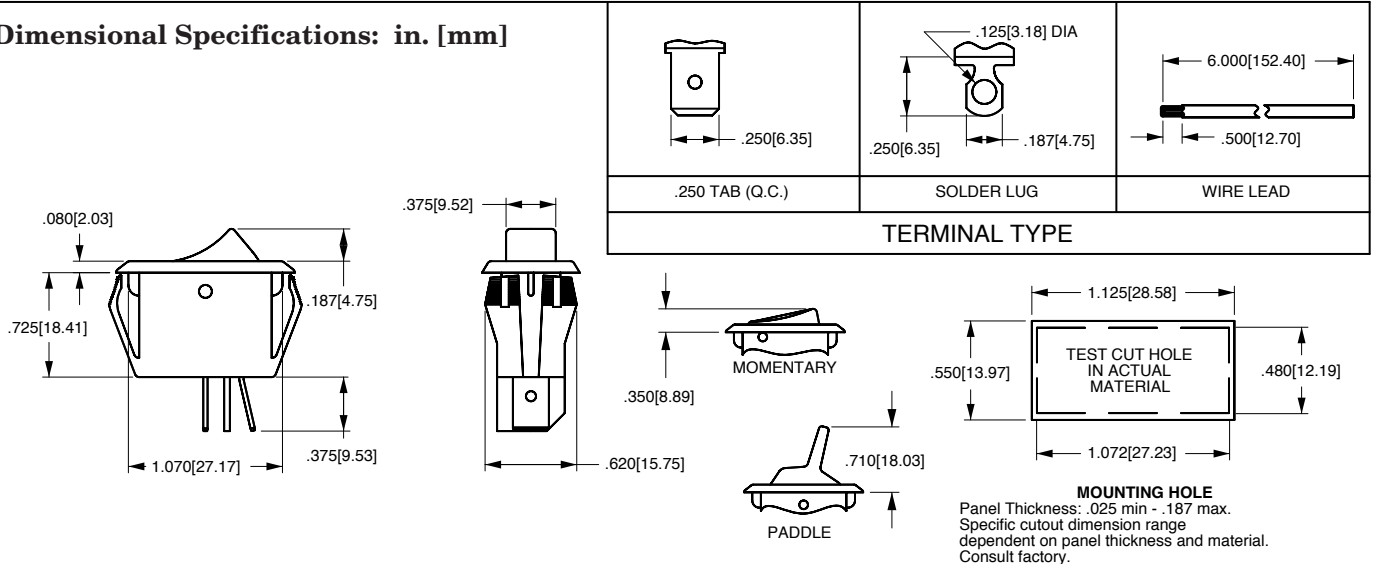
The R-Series Curvette single pole miniature snap-in rocker switches are available with momentary, rocker, paddle & Visi-Rocker type actuators. These aesthetically pleasing switches are compatible with a range of standard panel cutouts. Electrical ratings, with international approvals, are available up to 16 amps.

Specifications

- Certifications*: UL, CSA, VDE, TUV, SEMKO, DEMKO, NEMKO, FIMKO, SEV and BEAB
- Dielectric Strength: 1,000 V (minimum)
- Insulation Resistance: 100 Megohms (minimum)
- Base Material: Nylon
- Actuator Material: Polyester or Nylon

* Due to ongoing technological advances, consult factory for certification specifics.

Dimensional Specifications: in. [mm]



R	A	91 1	-	V B	-	B	-	0	-	V
SERIES		RATING¹		TERMINATION		BASE COLOR²				COLOR OF MOLDED-IN LEGEND AND/OR VISI-ROCKER END²
R SINGLE POLE		20 10A 250VAC 16A 125VAC 3/4HP 125-250VAC		0 SOLDER LUG 1 .250TAB (QC) 5 WIRE LEAD		B BLACK W WHITE				N NOT APPLICABLE B BLACK V VISI-RED W WHITE
CIRCUIT		21 10A 250 VAC 16A 125VAC		ACTUATOR STYLE		ROCKER FACE LEGEND				
A OFF-NONE-ON B ON-NONE-ON C ON-OFF-ON Available w/ratings 21, 23, 58, & 91 only		22 8A 250VAC 12A 125VAC 1/2HP 125-250VAC		M MOMENTARY ROCKER P PADDLE R ROCKER V TWO COLOR VISI-ROCKER		MOULDED-IN³		INK TRANSFER STAMP⁴		
D OFF-NONE-(ON) Available w/rating 22 only		23 10A 250VAC 16A 125VAC 1/2HP 125-250VAC		ACTUATOR COLOR²		0 NO LEGEND		0		
AD OFF-NONE-ON Double Insulation		58 5A 277VAC 10A 125VAC 10A 30V 8A 14VT		B BLACK W WHITE		1 OFF-ON (VERTICAL)		A		
BD ON-NONE-ON Double Insulation		90 10A 250VAC 16A 125VAC 3/4HP 125-250VAC				2 OFF-ON (HORIZONTAL)		B		
CD ON-OFF-ON Double Insulation Available w/ratings 21 and 58 only		91 10A 250VAC 16A 125VAC 10(4)A 250VAC _μ T85				8 O-I (HORIZONTAL)		D		

NOTES:

Shading indicates standard configurations.

Panel Cut-Out Recommendations: For sheet metal panels, switch must enter panel in same direction as the punch. (Burr on bottom.) Test cut hole in actual material.

- Additional ratings are available. Consult factory.
Rating 22 must use circuit D only and momentary rocker.
- Matte finish is standard. Custom colors are available. Consult factory.
- Molded-in Legend available only with Visi-Rocker option.
- White is standard with dark actuators; black is standard with light actuators.